



MAXIMA

VACUUM PACKING MACHINES



USER MANUAL

GEBRUIKERSHANDLEIDING



**BEFORE USING THIS PRODUCT YOU SHOULD READ THIS USER MANUAL PROPERLY
VOOR GEBRUIK DIENT U DEZE GEBRUIKERSHANDLEIDING UITVOERIG TE LEZEN**



English

Introduction

Thank you for purchasing this Maxima product. In order to obtain the maximum benefit and use of this product, please read these instructions completely before attempting to install or use this product.

Your new Maxima product was manufactured with advanced production techniques. Every product is inspected and tested strictly to ensure safe and reliable operation before leaving the factory. All parameters have reached or exceeded the national standard.

The Maxima vacuum packing machines can be used to pack many types of products. Not only solid products as meat or fish, but also liquid products as soup and sauces. These machines are very versatile and can be used for many applications. Packing and sealing settings can be changed to your wishes.

At Maxima we are very proud of our products and are completely committed to providing you with the best products and service possible. Your satisfaction is our number one priority

We know you will enjoy using this product and Thank You for choosing our product. We hope you consider Maxima for your future equipment purchases.

The Complete Range vacuum packing machines

Model	Pump	Chamber Dimensions	Dimensions	Max. Power	Connection
MAXIMA MVAC 200	10 m ³ /h	H90 x W280 x D385 mm	H320 x W330 x D480 mm	370 Watt	230V/50Hz/1Phase
MAXIMA MVAC 300	10 m ³ /h	H185 x W320 x D370 mm	H435 x W370 x D480 mm	370 Watt	230V/50Hz/1Phase
MAXIMA MVAC 400	20 m ³ /h	H220 x W450 x D460 mm	H460 x W520 x D560 mm	900 Watt	230V/50Hz/1Phase
MAXIMA MVAC 450	20 m ³ /h	H200 x W520 x D540 mm	H520 x W590 x D680 mm	900 Watt	230V/50Hz/1Phase
MAXIMA MVAC 500	20 m ³ /h	H200 x W420 x D440 mm	H1050 x W475 x D555 mm	900 Watt	230V/50Hz/1Phase
MAXIMA MVAC 700	2 x 20 m ³ /h	H215 x W720 x D610 mm	H970 x W790 x D760 mm	3600 Watt	230V/50Hz/1Phase

Characteristics

This machine is user friendly. Working processes of the machine are: closing the machine cover, air exhaustion (vacuum), heating, sealing, cooling, return-air, re-opening of the cover. All processes are done automatically.

The sealing temperature, sealing time and the vacuuming time can be set with a wide adjustable range, this enables the use of various packing bags with different materials and specifications.

This machine is equipped with safe grounding protection and emergency stop button. The emergency stop button can be pressed to stop the packing procedure immediately in case of emergency. All Maxima machines comply with CE regulations.

Safety Regulations

- The machine may only be used for the purpose for which it was intended and designed. The manufacturer is not liable for any damage caused by incorrect operation and improper use.
- Keep the machine and electrical plug away from water and any other liquids. In the unlikely event that the machine should fall into water, immediately pull the plug out of the socket and have the machine checked by a certified technician. **Not following these instructions could give rise to life-threatening situations.**
- Never try to open the casing of the machine yourself.
- Do not insert any objects in the casing of the machine.
- Do not touch the plug with wet or damp hands.
- Regularly check the plug and cord for any damage. When the plug or cord is damaged, you should have it repaired by a certified repair company.



- Do not use the machine after it has fallen or is damaged in any other way. Have it checked and repaired by a certified repair company.
- Do not try to repair the machine yourself. **This could give rise to life-threatening situations.**
- Make sure the cord does not come in contact with sharp or hot objects and keep it away from open fire. To pull the plug out of the socket, always pull on the plug and not on the cord.
- Make sure that no one can accidentally pull the cord loose or trip over the cord.
- Always keep an eye on the machine when in use.
- Never put your hands near the moving parts of the machine.
- Never let children use professional machines.
- Always pull the plug out of the socket when the machine is not being used and always before cleaning.
- **Warning!** As long as the plug is in the socket the machine is connected to the power source.
- Turn off the machine before pulling the plug out of the socket.
- Never try to move or carry the machine by the power cord.
- This machine may only be used for its intended purpose.
- Do not use any extra devices that are not supplied along with the machine.
- Avoid overloading.
- The electrical installation must satisfy the applicable national and local regulations.

Preparations Before First Time Use

- Unpack and inspect your machine immediately after receipt. If there are any latent defects or damage to the machine then immediately contact the freight carrier as well as your dealer. Save all packaging materials for inspection by the freight carrier.
- Read this instruction manual completely before attempting to install and operate this product. All installations and set ups must be done by authorized service agents, your dealer, or Maxima representatives.
- The machine must be positioned on a flat surface with sufficient space around the machine to allow for easy access to the machine, and for cleaning and ventilation.
- If your machine is supplied with a factory (fitted molded) plug then you may plug the unit into a standard electrical outlet. Make sure that the voltage of the machine and the wall outlet are compatible. If your machine is not supplied with a factory (fitted molded) plug then a qualified electrical technician must be contacted to wire the unit to the power supply.
- Before using your machine for the first time it is recommended that the exterior, the lid and the chamber of the machine are wiped down with a damp cloth with mild detergent.
- Level and position the machine in such a way that the plug is accessible at all times.

First Time Use

Installation

1. Before operation, please read through the instruction manual for the installation and operation advice and the safety precautions.
2. The machine is already filled with oil, but you must check if the oil level is sufficient. When running, the oil level should not be lower than 1/2 height of the oil window. Do not fill with too much oil to avoid overflow. When needed fill the vacuum pump with HFV-32 high-speed vacuum pump oil or 32N lubricant before use (when the machine is placed at a horizontal position, the oil level should be at 3/4 of oil window).
3. The machine should be placed horizontally with good ventilation, without corrosive gas or dust.
4. The power connection may be different in your location, so be sure to check for grounding protection before use.
5. Always ensure top cover is open before turning the power on. Start the machine by pressing the top cover and the process start automatically (for electric cover series, turn on the power supply and the top cover will automatically open, by pressing the start button, which is located on the control panel, the process cycle will be started). For 3-phase vacuum machinery; please be sure that the vacuum pump is running in the correct direction. If the direction is wrong, simply change the internal wiring of the power plug.
6. Preheating of the vacuum pump must be done in a low temperature working area. Turn off the

heating process by pressing the **SEALING TEMPERATURE** key on the control panel. This is to prevent the heating process and to decrease wear and tear. Run the vacuum pump a few times, as described later in this manual, and the machine is ready to use.

Control Panel



Programming

Please set every parameter first before operating the machine.

1. Connect the machine to the power supply, open the top cover and turn on the machine by pressing the **ON** button. You will see "--" in the display.
2. Press the **SET** button, the **VACUUM** indicator lamp lights to enter the vacuum time. Press the **INCREASE** or **DECREASE** key to increase or decrease the vacuum time in the range of 0~99 seconds.
3. After the vacuum time is set, press the **SET** key and the **GAS** indicator lamp lights to enter nitrogen filling time. Press the **INCREASE** or **DECREASE** key to increase or decrease the nitrogen filling time in the range of 0~9.9 seconds. **Note: Some models do not have nitrogen filling function, the machine will automatically switch to the sealing time setting.**
4. Press the **SET** key, the lamp of **SEALING** lights to enter the sealing time. Press the **INCREASE** or **DECREASE** key to increase or decrease the sealing time in the range of 0~9.9 seconds. (First try 1.0-1.5 sec)
5. After the sealing time is set, press the **SET** key again, the **COOLING** indicator lamp lights to enter the cooling time in the range of 0~9.9 seconds. (First try 2.0-3.0 sec)
6. After the cooling time is set, press the **SET** key again to finish the parameter setting, and "--" is shown in the display.
7. Press the **SEALING TEMPERATURE** key to change the sealing temperature. Press the **SEALING TEMPERATURE** key multiple times to choose the correct temperature value. There are three values: "**HIGH** temperature", "**MIDDLE** temperature" and "**LOW** temperature". Attention: While processing the state lamp lights and shows the red color when in sealing operation. If the state lamp does not light, it means that there is no sealing temperature selected.
8. If your machine model has electric cover opening or pneumatic cover opening, we will preset the return-air cover opening time. The time relay is usually installed inside the machine, timings normally do not have to be altered.
9. Now every time that you power on the machine "--" is shown, now the machine will function in the correct settings.
10. Remarks & Tips: You can speed up the vacuum packing process by placing a solid block into the chamber. This to occupy chamber space, which decreases the vacuum time needed.



11. ATTENTION! DO NOT BLOCK THE AIR HOLE IN THE CHAMBER!

Operating Instructions

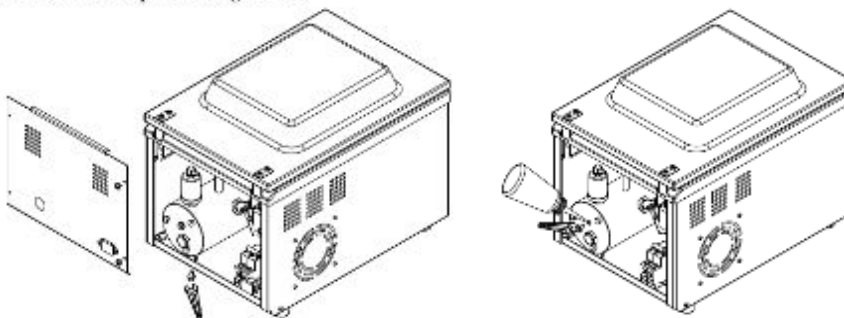
1. Open the cover, turn on the machine and select a suitable vacuum packing bag for the product.
2. Set the processing parameters and select the sealing temperature.
3. Place the vacuum bag in the chamber with the opening on top of the sealing bar. Hold the bag by using the clamp.
4. Close the acrylic cover (for electric or pneumatic driven series, just press the start button) and the machine will complete the process automatically. Hold the cover down by placing the cover holder.
5. During processing, the vacuum chamber will form a vacuum self-lock state, the whole heating and sealing procedure are completed in a vacuum environment, and the LED display on panel shows the flow of the process. The **PROCESSING** indicator on the panel is lighted during the process.
6. When the **VACUUM** indicator on the panel lights, the equipment is under vacuum state, the LED display shows the vacuum timer, and it will enter into the next work state automatically after the process is finished.
7. When the **GAS** indicator on panel lights, the equipment is under filling state, the LED display shows the reverse timing of filling time, and it will enter into the next work state automatically after the reverse timing is finished. For some models, this function is disabled, and this indication is skipped when in operation. After this, the process moves to sealing state.
8. When the **SEALING** indicator lights, the sealing bar will heat up and the bag will be sealed, the panel shows the reverse timing of heating. It will enter into cooling state automatically after the reverse timing is finished.
9. During the cooling state the **COOLING** indicator lamp lights. According to the time setting, the machine does not act when cooling, after the reverse timing is finished and the air is returned, the cover opens automatically, and the whole process is finished. Then prepare for the next cycle.
10. Press the red emergency-stop button when an emergency occurs during the packaging process, and the machine will stop processing.
11. The fan will turn constantly when the machine is on, and can only be shut off by switching the main switch off, which can be found on the back of the machine.
12. **ATTENTION! DO NOT OPEN THE COVER UNTILL THE WHOLE PROCESS IS FINISHED! OTHERWISE WEAR AND TEAR IS INCREASED AND MACHINE LIFE DECREASED!**

Notes:

1. The silicone rubber strip comes with one side nerving and the other for letter and number inserting. It will have an embossed effect on the sealed surface.
2. Please do not run the machine without any vacuum bag attached. Otherwise, the heating element will endure higher wear and tear.
3. Cut off the power supply and pull out external plug when the machine is not in use.
4. The vacuum gauge / meter reading may be different in different locations.
5. Please take sufficient cooling time into account when processing is done in high temperatures.
6. **ATTENTION!** Make sure that the machine has sufficient vacuum oil inside. Refill the oil in time!

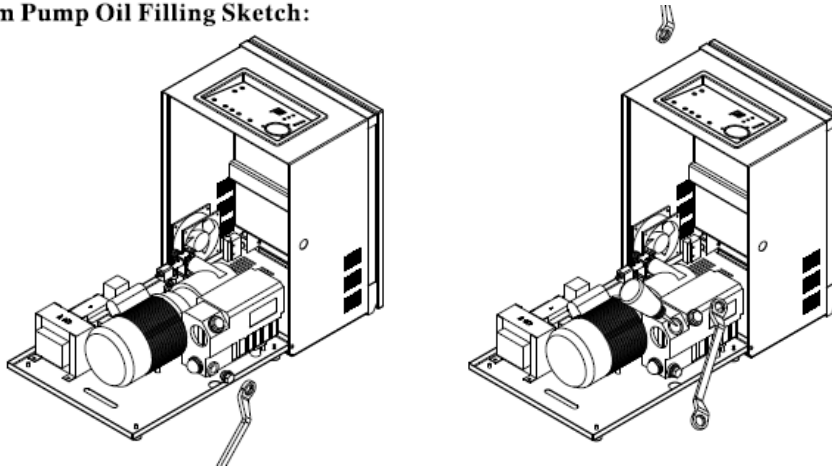
Refilling Pump 10

010 Vacuum Pump Oil Filling Sketch:

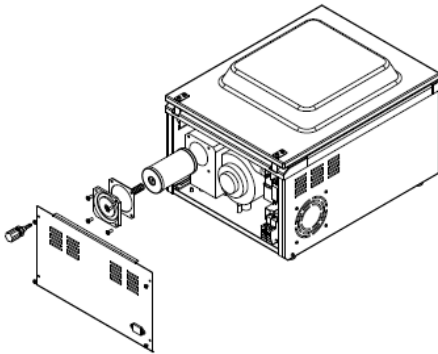


Refilling Pump 20

020 Vacuum Pump Oil Filling Sketch:



020 Vacuum Pump Filter Replacement Sketch:

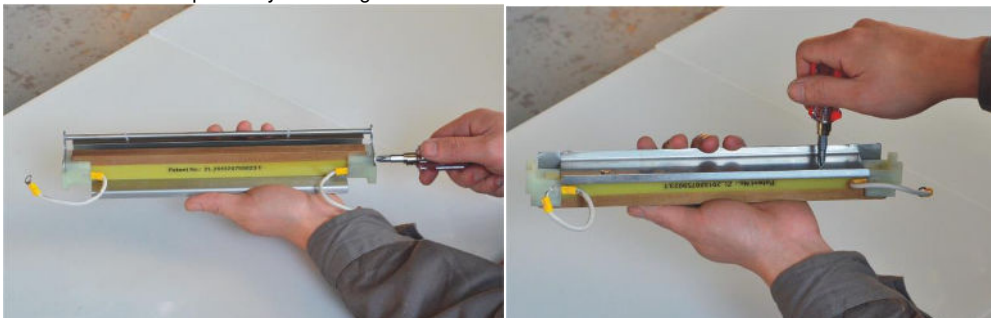


Replacing the Sealer

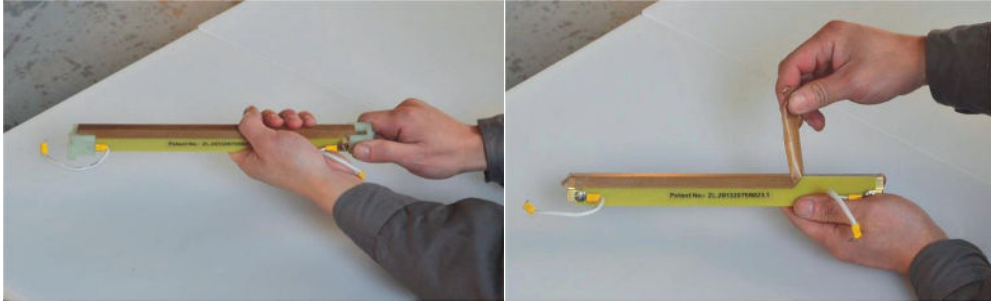
In time, the sealer will be worn down simply through usage of the machine. The sealing tape on top of the sealer can be replaced as shown below. Of course it is also possible to replace the complete sealer, which is done in pretty much the same way.



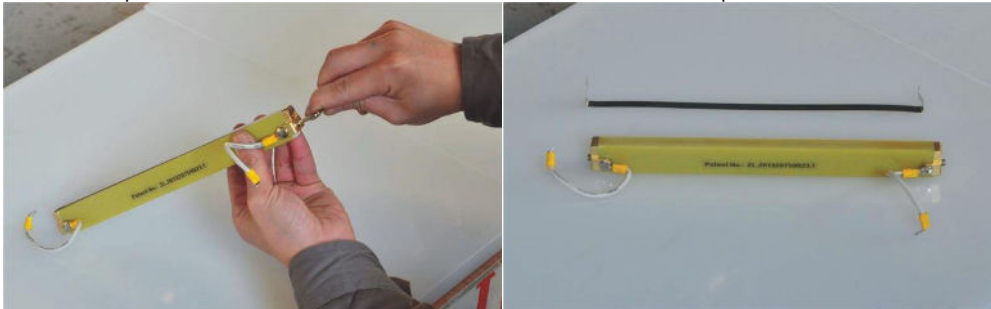
Release the contactpoints by removing de screws.



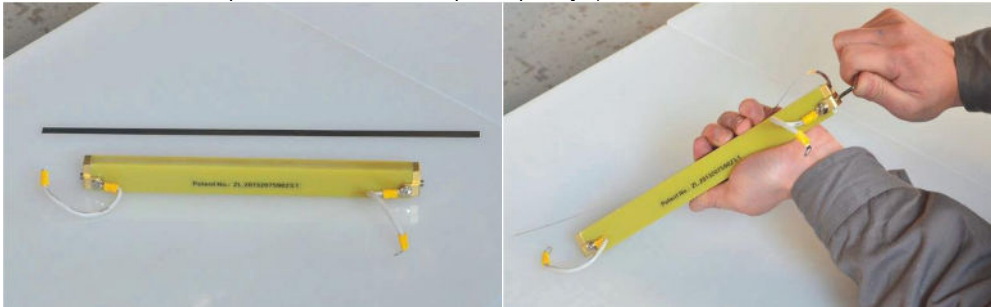
Remove the screws in the bottom and sides of the sealer as shown in the pictures.



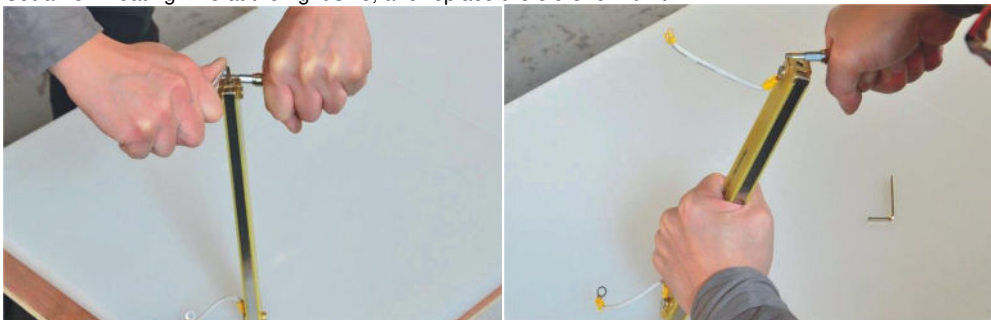
Remove the plastic blocks on the sides of the sealer and then remove the tape.



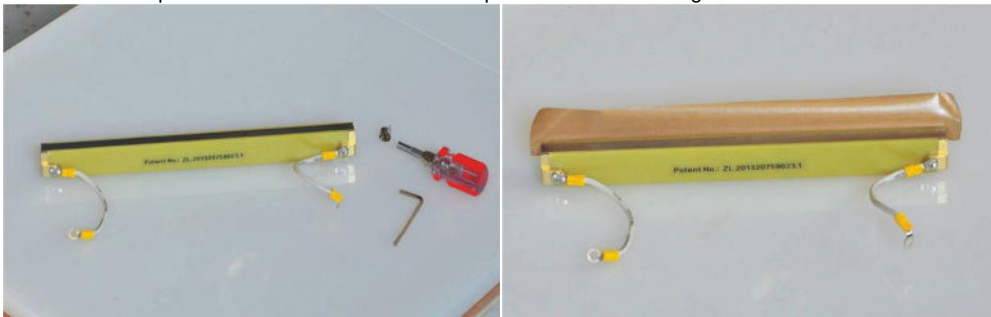
Release the metal strip and remove the strip completely (the tools to do this have been delivered with the machine).



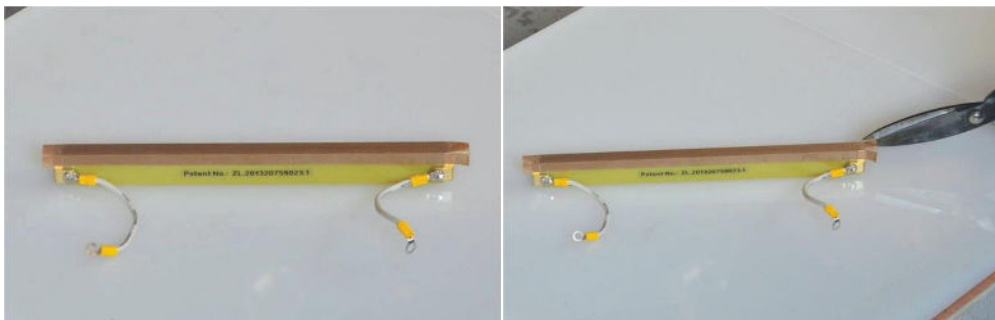
Cut a new heating wire at the right size, and replace the old one with it.



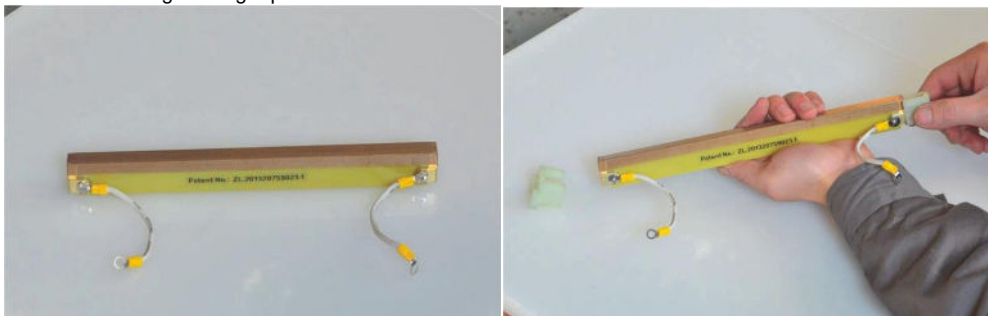
Use the tools to place the heating wire and lock it in place with the retaining bolt.



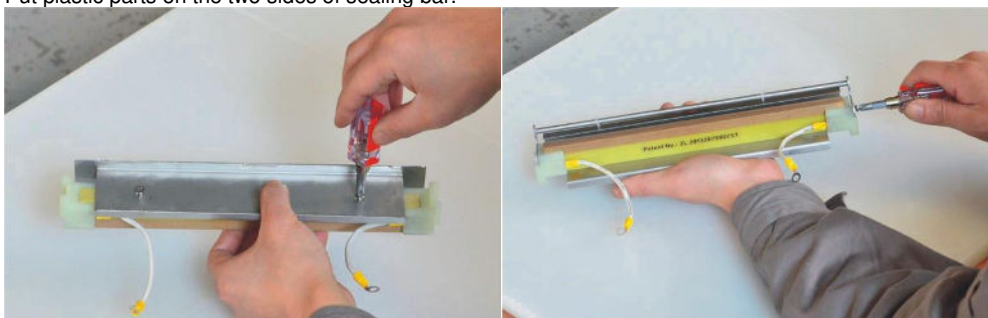
Take at sealing tape a proper length and sticker it on the heating wire



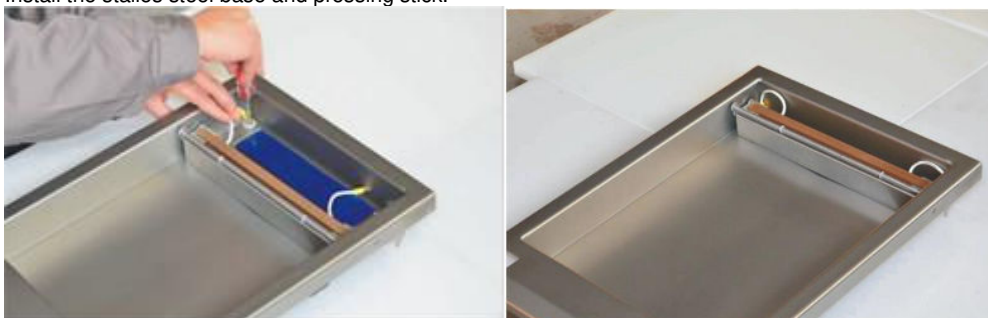
Cut the remaining sealing tape on the two sides enable to fold it.



Put plastic parts on the two sides of sealing bar.



Install the stainless steel base and pressing stick.



Connect the cable of complete sealing bar to the pin, then put the sealing bar back to vacuum chamber to finish the installation.

Cleaning and Maintenance

- Always remove the plug from the socket before cleaning the machine.
- **ATTENTION!** Never immerse the machine in water or any other liquid!
- Clean the outside and the inside of the machine with a damp cloth (water with mild detergent).
- Never use aggressive cleaning agents or abrasives. Do not use any sharp or pointed objects. Do not use petrol or solvents! Do not use abrasive materials.



- change the oil regularly. We recommend doing this minimal 2x per year.
- **ATTENTION!** Never hose down the machine!

Storage

- Store in a cool and dry place.

Warranty

Thank you for using our products, our company will follow related provisions from our 'Algemene Voorwaarden'.

We provide 12-month warranty from the date of purchase (invoice date). In the warranty period, our company is responsible for free parts if there is a device fault or quality problem of spare parts under correct operation. This is without prejudice to your statutory rights. The following exempts warranty:

1. Damages result from transportation, installation, improper connections.
2. Component damages caused by failing to provide power and voltage as required in technical data.
3. Damages caused by disassembling products, adjust or change the mechanical and electrical structures without permission.
4. Damages caused by improper operation, overloading, cleaning and maintenance.
5. Non-man-made damage, such as damages from abnormal voltage, fire, building collapse, lightning, floods and other natural disasters, and damages from rats and other pests.
6. Failure in following the manual when operating.
7. Wearable and expendable parts.
8. Altered invoice or without invoice.

In line with our policy of continuous product development we reserve the right to change the product, its packaging or documentation without notice.

Discarding

- When discarding the machine at the end of its useful life, please observe the regulations and guidelines in force at that time.



Nederlands

Introductie

Bedankt voor het aanschaffen van dit Maxima product. Deze instructies dienen volledig gelezen te worden voordat u dit product gaat installeren of gebruiken. Op deze manier kunt u optimaal van dit product gebruik maken.

Uw nieuwe Maxima product is geproduceerd met geavanceerde productietechnieken. Elk product wordt voor verzending geïnspecteerd en getest om veiligheid en betrouwbaarheid te kunnen waarborgen. Alle parameters voldoen volgens de nationale standaarden.

De Maxima vacumeermachines kunt u gebruiken voor het verpakken veel verschillende producten. Niet alleen vaste producten, zoals vlees en vis, maar ook vloeibare producten als soepen en sauzen kunnen worden verpakt. Deze machines zijn zeer breed toepasbaar. Vacumeer- en sealinstellingen kunnen worden aangepast naar uw wensen.

Bij Maxima zijn wij erg trots op onze producten en zijn volledig geïmmiteerd om u van de beste producten en service te voorzien. Uw tevredenheid is onze nummer 1 prioriteit.

Wij weten dat u met plezier dit product zal gaan gebruiken en bedanken u voor uw keuze. Wij hopen dat u Maxima in gedachten houdt bij toekomstige aanschaf van apparatuur.

Het Complete Gamma vacumeermachines

Model	Pomp	Afmetingen Binnenkamer	Afmetingen Machine	Vermogen	Aansluiting
MAXIMA MVAC 200	10 m ³ /h	H90 x W280 x D385 mm	H320 x W330 x D480 mm	370 Watt	230V/50Hz/1Phase
MAXIMA MVAC 300	10 m ³ /h	H185 x W320 x D370 mm	H435 x W370 x D480 mm	370 Watt	230V/50Hz/1Phase
MAXIMA MVAC 400	20 m ³ /h	H220 x W450 x D460 mm	H460 x W520 x D560 mm	900 Watt	230V/50Hz/1Phase
MAXIMA MVAC 450	20 m ³ /h	H200 x W520 x D540 mm	H520 x W590 x D680 mm	900 Watt	230V/50Hz/1Phase
MAXIMA MVAC 500	20 m ³ /h	H200 x W420 x D440 mm	H1050 x W475 x D555 mm	900 Watt	230V/50Hz/1Phase

Kenmerken

Deze machine is zeer gebruiksvriendelijk. Het automatische proces is als volgt: sluiten van het deksel, afvoeren van lucht, verwarmen, sealen, afkoelen, retour lucht, heropenen van het deksel.

De sealtemperatuur, sealtijd en de vacumeertijd kunnen worden ingesteld met een wijde range, hierdoor kunt u veel verschillende producten verpakken en gebruik maken van verschillende verpakkingsmaterialen.

Deze machine is voorzien van een aarde-bescherming en een noodstop. De noodstop kan worden ingedrukt om het verpakkingsproces gelijk te doen stoppen in geval van een noodsituatie. Alle Maxima machines voldoen aan CE normeringen.

Veiligheidsvoorschriften

- De machine mag alleen worden gebruikt voor het beoogde doel waarvoor de machine is ontworpen. De fabrikant is geenszins verantwoordelijk voor enige schade voortvloeiende uit incorrect gebruik of verkeerde toepassing.
- Houdt de machine en de elektrische aansluiting weg van water en andere vloeistoffen. Als de machine per ongeluk in het water valt, trek dan onmiddellijk de stekker uit het stopcontact en laat de machine nakijken door een gecertificeerde technicien. **Het niet navolgen van deze instructies kan levensgevaarlijke situaties veroorzaken.**
- Probeer nooit zelf de behuizing van een apparaat open te maken.
- Stop geen objecten in de behuizing of openingen van het apparaat.
- Raak de stekker niet aan met natte handen.



- Controleer de stekker en het snoer regelmatig op schade. Wanneer de stekker of het snoer is beschadigd, laat deze dan direct repareren door een gecertificeerd onderhoudsbedrijf.
- Gebruik het apparaat niet nadat het is gevallen of op een andere manier is beschadigd. Laat het apparaat direct nakijken door een gecertificeerd onderhoudsbedrijf.
- Probeer het apparaat niet zelf te repareren. **Het niet navolgen kan levensgevaarlijke situaties veroorzaken.**
- Zorg ervoor dat het snoer niet in contact komt met scherpe of hete objecten en houdt het weg van open vuur. Als u de stekker uit het stop contact wilt verwijderen, trek dan aan de stekker en niet aan het snoer.
- Zorg ervoor dat niemand per ongeluk het snoer kan lostrekken of over het snoer kan vallen.
- Blijf altijd bij de machine wanneer deze in gebruik is.
- Houdt uw handen weg van de bewegende delen van de machine.
- Laat kinderen nooit professionele apparatuur gebruiken.
- Trek de stekker uit het stopcontact wanneer het apparaat niet wordt gebruikt, of voor het schoonmaken.
- **Let op!** Zolang de stekker in het stopcontact zit is de machine verbonden met het elektrischheidsnet.
- Zet de machine uit alvorens de stekker uit het stopcontact wordt verwijderd.
- Verplaats of til het apparaat nooit op aan het snoer.
- Deze machine mag alleen worden gebruikt voor het beoogde doel.
- Gebruik geen extra accessoires die niet bij de machine zijn geleverd.
- Voorkom overbelasting.
- De elektrische installatie moet voldoen aan de nationale en regionale eisen.

Voorbereiding Eerste Ingebruikname

- Open de verpakking en inspecteer de machine direct na ontvangst. Als er schade is, of de machine is defect, neem dan direct contact op met de transporteur en de wederverkoper. Bewaar alle verpakkingsmaterialen voor inspectie door de transporteur of wederverkoper.
- Lees deze gebruikershandleiding volledig voordat u de machine gaat installeren en gebruiken. Alle installaties en inwerkstellingen moeten worden verricht door gecertificeerde onderhoudsbedrijven, uw wederverkoper of vertegenwoordigers van Maxima.
- De machine moet op een vlak oppervlak worden geplaatst met voldoende ruimte voor ventilatie en reiniging.
- Als uw apparaat is voorzien van een af fabriek (aangesloten) stekker en snoer, dan kunt u het apparaat met het stopcontact verbinden. Let op dat het voltage van het apparaat en het contact overeenkomen. Als uw machine niet is voorzien van een stekker en een snoer, laat deze dan monteren en aansluiten door een gekwalificeerde technicien.
- Voor het eerste gebruik is het aan te raden om de behuizing, het deksel en de binnenkamer met een vochtige doek met een mild reinigingsmiddel af te nemen.

Eerste Ingebruikname

Installatie

1. Voordat u de machine gebruikt dient u eerst de gehele handleiding te lezen en alle adviezen in acht te nemen.
2. Uw machine is reeds gevuld met olie, echter moet u voor gebruik alsnog het olie-niveau controleren op juistheid. Het juiste olie-niveau (machine moet waterpas staan) is ongeveer op $\frac{3}{4}$ van het kijkglas. Tijdens het gebruik mag het olie-niveau niet minder dan $\frac{1}{2}$ van het kijkglas zijn. Vul het apparaat niet te veel bij om overlopen te voorkomen. U kunt HFV-32 vacumeerolie of 32N smeermiddel gebruiken.
3. De machine moet waterpas geplaatst zijn, in een goed geventileerde ruimte, vrij van gas of stof.
4. De stroomaansluiting kan per locatie verschillend zijn, controleer van te voren de aarde.
5. Zorg ervoor dat het deksel open is voordat u de machine aan zet. De machine start wanneer u het deksel naar beneden duwt. Het gehele verpakkingsproces is volautomatisch (De modellen met een elektrische of pneumatische dekselvoorziening gaan automatisch open zodra u de machine aan zet. Om een cyclus te starten moet u eerst op de startknop drukken).
6. De vacumeerpomp moet eerst worden opgewarmd als de machine in een koude omgeving wordt gebruikt. U moet eerst het verwarmingsproces uitschakelen met de **SEALING TEMPERATURE**



knop. Door het verwarmingsproces uit te schakelen vermindert u slijtage. Start de vacuumpomp, zoals later beschreven in deze handleiding, een aantal maal en de machine is klaar voor gebruik.

Besturingspaneel



Instellen

Voordat u het apparaat voor het eerst gebruikt dient u alle parameters in te stellen.

1. Stop de stekker in het stopcontact, open het deksel en zet de machine aan door op de **ON** knop te drukken. U ziet "--" in het display
2. Druk op de **SET** knop, het **VACUUM** lampje gaat branden en u kunt de vacumeertijd instellen. Druk op de **INCREASE** of **DECREASE** knoppen om de vacumeertijd te verhogen of te verlagen in de range van 0~99 seconden.
3. Nadat de vacumeertijd is ingesteld, druk op de **SET** knop, het **GAS** lampje gaat branden en u kunt de begassingtijd instellen. Druk op de **INCREASE** of **DECREASE** knoppen om begassingtijd te verhogen of te verlagen in de range van 0~9.9 seconden. **Notitie: Sommige modellen hebben geen begassing, de machine gaat dan automatisch naar het instellen van de sealtijd.**
4. Druk op de **SET** knop, het **SEALING** lampje gaat branden en u kunt de sealtijd instellen. Druk op de **INCREASE** of **DECREASE** knoppen om sealtijd te verhogen of te verlagen in de range van 0~9.9 seconden.(probeer het eerst tussen 1,0 en 1,5 sec)
5. Druk weer op de **SET** knop en het **COOLING** lampje gaat branden en u kunt de afkoeltijd instellen. Druk op de **INCREASE** of **DECREASE** knoppen om afkoeltijd te verhogen of te verlagen in de range van 0~9.9 seconden.(standaard tussen 2.0 en 3,0 sec)
6. Nadat de afkoeltijd is gekozen drukt u op de **SET** knop. De parameters zijn ingesteld en "--" staat in het display.
7. Druk op de **SEALING TEMPERATURE** knop om de sealtemperatuur te veranderen. Druk meerdere keren op de **SEALING TEMPERATURE** knop om de juiste waarde te kiezen. Er zijn drie waarden: "**HIGH** – hoge temperatuur", "**MIDDLE** – middelmatige temperatuur" and "**LOW** – lage temperatuur". Attentie: Tijdens het sealingproces brand een rood lampje, indien dit niet het geval is heeft u nog geen sealtemperatuur geselecteerd.(advies: gebruik low of middle)
8. Als uw machine is voorzien van een elektrische of pneumatische dekselopening, dan is de tijd van de luchtafvoer automatisch geprogrammeerd. Het tijdsrelais is normaal gesproken vooraf geïnstalleerd, tijden hoeven niet te worden aangepast.
9. Elke keer als u de machine aan zet ziet u "--" in het display, de machine zal functioneren volgens de geselecteerde instellingen.
10. Tip: U kunt het verpakingsproces versnellen door een massieve plaat in de kamer te leggen. Deze plaat neemt ruimte in waardoor de vacumeertijd wordt verkort.
11. **ATTENTIE! HOUDT HET LUCHTGAT IN DE KAMER TE ALLEN TIJDE VRIJ!**

Gebruiksaanwijzingen

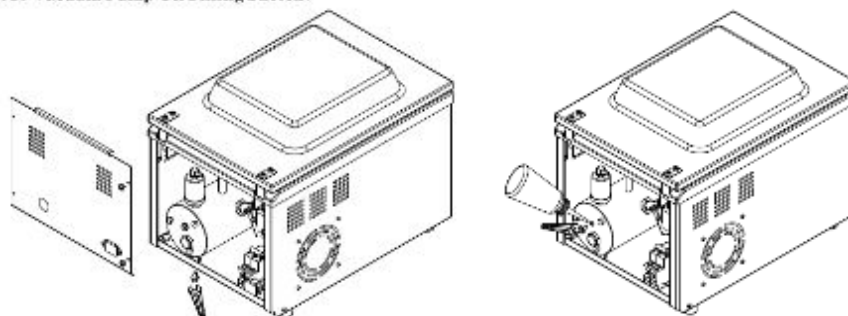
1. Open het deksel, zet de machine aan en kies uw vacumeerzak.
2. Programmeer de instellingen naar uw wens.
3. Plaats de vacuümzak in de kamer met de opening bovenop de sealbalk. Houdt de zak op zijn plaats door de klem te gebruiken.
4. Sluit het deksel (druk op de startknop bij de elektrische en pneumatische modellen) en de machine zal automatisch het verpakkingsproces voltooien. Vergrendel het deksel met de klem.
5. Gedurende het proces zal de machine een vacuüm omgeving creëren. De verhitting- en sealprocessen zullen in deze vacuüm omgeving plaatsvinden. Het display geeft de status tijdens het proces weer. Het **PROCESSING** lampje brandt gedurende het gehele proces.
6. Als het **VACUUM** lampje brandt, wordt in de kamer een vacuüm gecreeërd. Het display laat de vacumeertimer zien en springt na afloop naar het volgende onderdeel binnen het gehele proces.
7. Als het **GAS** lampje brandt, wordt de kamer begast. Het display laat de begassingtimer zien en springt na afloop naar het volgende onderdeel binnen het gehele proces. Sommige modellen hebben deze functie niet, dan wordt deze stap overgeslagen. Hierna start het sealproces.
8. Als het **SEALING** lampje brandt, wordt de sealbalk verhit, de vacuümzak gesloten en voorzien van een seal. Hierna zal het apparaat even afkoelen.
9. Gedurende dat het **COOLING** lampje brandt, koelt het apparaat af. De machine functioneert niet, na dit proces wordt er lucht in de kamer gelaten, het deksel gaat automatisch open en het verpakkingsproces is afgerond. Hierna kunt u beginnen met de volgende cyclus.
10. Druk op de rode noodstop wanneer zich een noodsituatie voordoet tijdens het verpakkingsproces. De machine zal dan gelijk stoppen met functioneren.
11. De ventilator zal constant blijven draaien, en kan alleen worden uitgeschakeld door de hoofdschakelaar aan de achterzijde van het apparaat.
12. **ATTENTIE! OPEN HET DEKSEL NIET ZELF VOORDAT HET GEHELE PROCES KLAAR IS! ANDERS VEROORZAAKT U EXTRA SLIJTAGE EN VERKORT U DE LEVENSDUUR**

Opmerkingen:

1. De siliconenstrip heeft een kant met profiel en een kant waar letters en cijfers in kunnen worden gezet. Hiermee kunt u text en cijfers (bijvoorbeeld een datum) in de sealrand drukken.
2. Start het verpakkingsproces niet zonder vacuümzak, anders slijt het hittedement extra snel.
3. Zet de machine uit en verwijder de stekker uit het contact als u de machine niet gebruikt.
4. De vacuüm meter kan andere waarden aangeven, dit hangt af van de omgeving.
5. Neem voldoende afkoeltijd in acht wanneer het apparaat wordt gebruikt in een warme omgeving.
6. **ATTENTIE!** Zorg ervoor dat de machine over voldoende vacumeerolie beschikt. Vul op tijd bij!

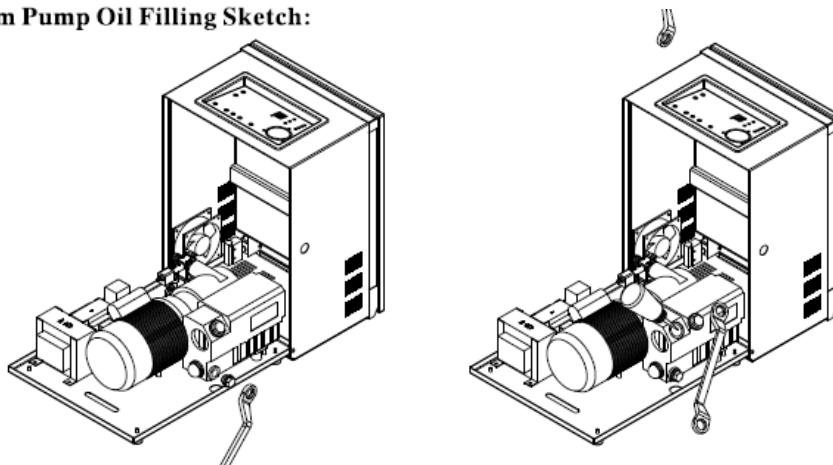
Aanvullen Pomp 10

010 Vacuum Pump Oil Filling Sketch:



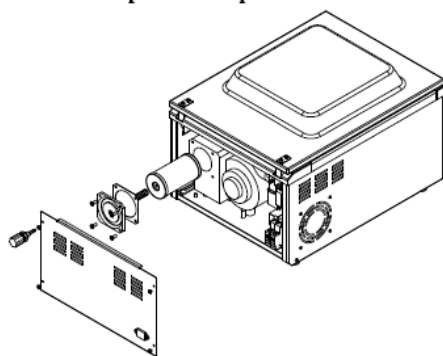
Aanvullen Pomp 20

020 Vacuum Pump Oil Filling Sketch:



Vervangen van het luchtfilter

020 Vacuum Pump Filter Replacement Sketch:

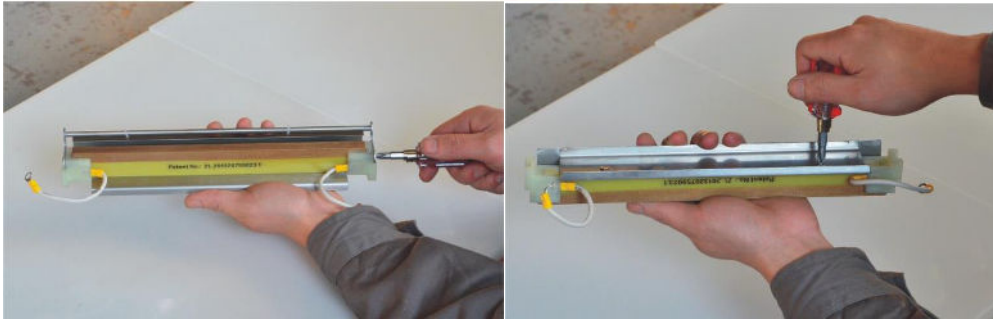


Vervangen sealstrip

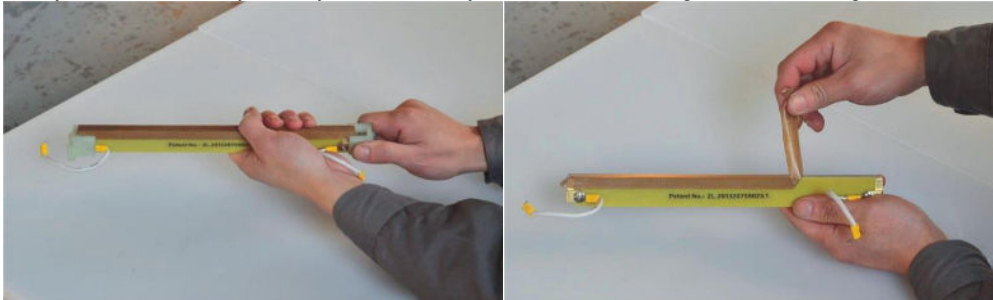
Na verloop van tijd kan er slijtage ontstaan aan de sealbalk. Deze teflon strip is los te vervangen volgens onderstaand stappenplan. Uiteraard is het ook mogelijk om een complete nieuwe sealbalk te plaatsen.



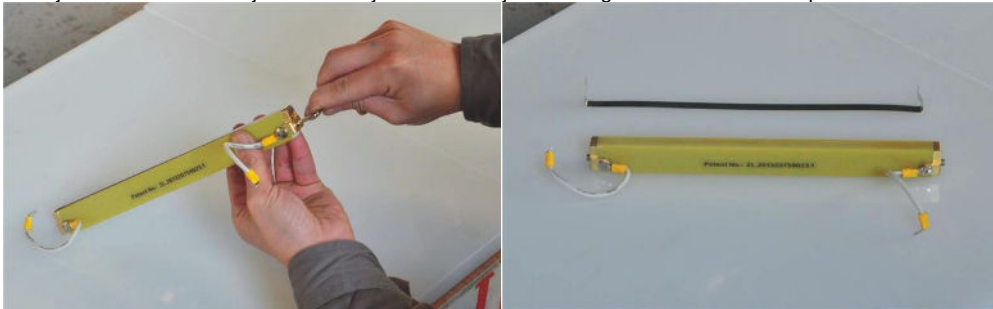
Maak de contactpunten los doormiddel van de schroefjes te verwijderen



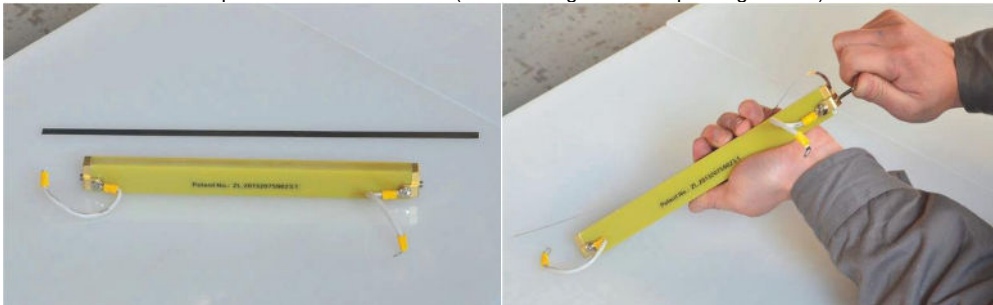
Verwijder aan de onderzijde en zijkant de schroefjes uit de sealbalk. Volgens de afbeelding



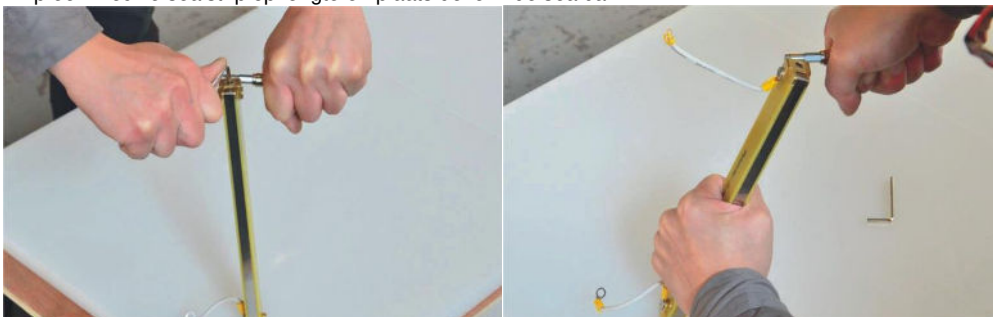
Verwijder de kunststof blokjes aan de zijkant en verwijder vervolgens de teflon sealstrip



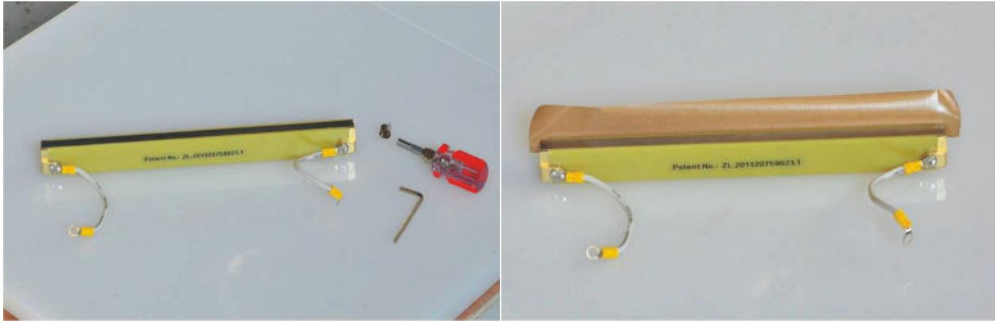
Maak de stalen sealstrip los en haal deze eruit. (hiervoor is gereedschap meegeleverd)



Knip een nieuwe sealstrip op lengte en plaats deze in de sealbalk



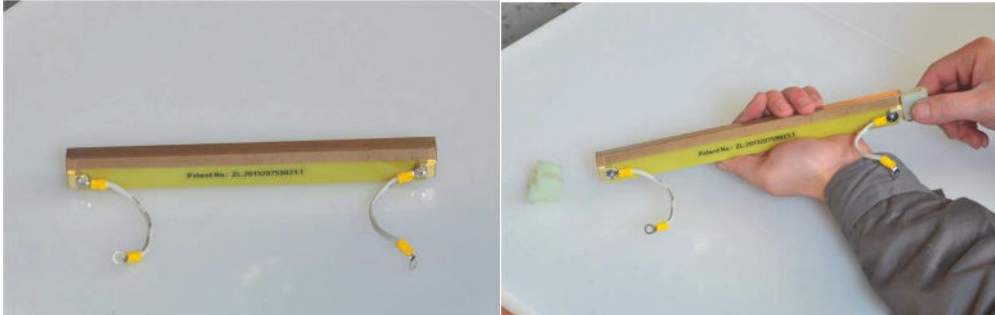
Plaats de sealdraad, met het bijgeleverde gereedschap, zo strak mogelijk en draai deze vast met de borgbout



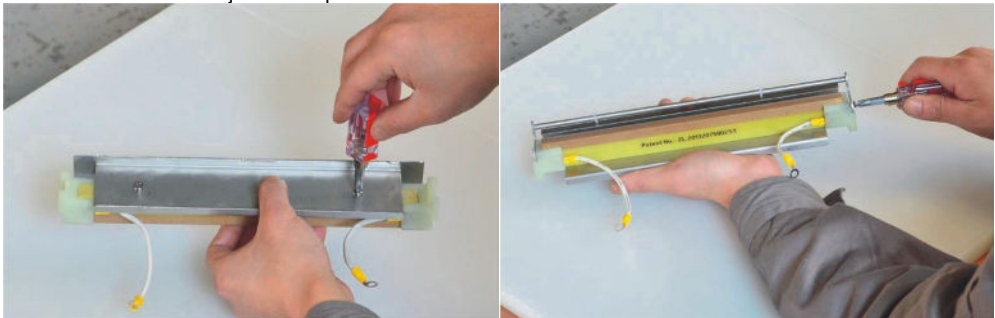
Knip de teflon tape op lengte af en plak deze over de stalen sealstrip.



Knip de uiteinden in en vouw deze naar binnen, zodat de kopse kant afgedicht is.



Schuif de kunststof blokjes weer op de sealbalk



Monteer de sealbalk aan de houder vast



Monteer de beide contactpunten doormiddel van de schroefjes, en de sealbalk kan weer worden teruggeplaatst



Reiniging en Onderhoud

- Verwijder altijd de stekker uit het stopcontact alvorens de machine wordt gereinigd.
- **Let op!** Dompel de machine nooit in water of een andere vloeistof.
- Reinig de machine met een vochtige doek (water met mild reinigingsmiddel).
- Gebruik geen agressieve of bijtende middelen. Gebruik geen scherpe of puntige objecten. Gebruik geen petroleum of andere oplosmiddelen. Gebruik een zachte doek met detergent. Gebruik geen schurende materialen.
- Verwissel de keerring van de pomp tijdig. Zeker wanneer u een lek verwacht of ontdekt.
- Vervang de olie regelmatig we raden aan dit minimaal 2x per jaar te doen.
- **Let op!** Spuit de machine nooit af met water.



Opslag

- Sla het apparaat op in een koele en droge omgeving.

Garantie

Hartelijk bedankt voor het gebruiken van onze producten, ons bedrijf hanteert voorwaarden zoals vermeldt in onze 'Algemene Voorwaarden.

We geven een garantie van 12 maanden vanaf de aanschafdatum (factuurdatum). In de garantieperiode is ons bedrijf verantwoordelijk voor gratis onderdelen als een productiefout of kwaliteitsprobleem zich voordoet bij normaal gebruik. Dit doet geen afbreuk aan uw wettelijke rechten.

De volgende redenen sluiten garantie uit:

1. Schade als gevolg van transport, installatie of slechte aansluitingen.
2. Component schade veroorzaakt door aansluiting op spanning of voltage, niet conform de vereiste specificaties.
3. Schade als gevolg van demontage of aanpassingen aan de mechanische of elektrische constructie van het apparaat, zonder toestemming van de fabrikant.
4. Schade als gevolg van overbelasting, verkeerd gebruik, verkeerde reiniging of slecht onderhoud.
5. Niet-synthetische schade, zoals schade als gevolg van abnormale spanning, brand, gebouw instorten, bliksem, overstromingen en andere natuurrampen, en schade door ongedierte.
6. Het niet volgen van de gebruikershandleiding.
7. Aan slijtage onderhevige onderdelen.
8. Aangepaste factuur of geen factuur.

In lijn met ons beleid van voortdurende productontwikkeling behouden wij ons het recht om het product, de verpakking of documentatie zonder kennisgeving te wijzigen.

Verwijdering

- Wanneer u zich wilt ontdoen van de machine aan het einde van zijn levensduur, let dan op de voorschriften en richtlijnen van kracht op dat moment.